



DRILL POWERED WATER PUMP

MODEL NO: TP51.V2

Thank you for purchasing a Sealey product. Manufactured to a high standard, this product will, if used according to these instructions, and properly maintained, give you years of trouble free performance.

IMPORTANT: PLEASE READ THESE INSTRUCTIONS CAREFULLY. NOTE THE SAFE OPERATIONAL REQUIREMENTS, WARNINGS & CAUTIONS. USE THE PRODUCT CORRECTLY AND WITH CARE FOR THE PURPOSE FOR WHICH IT IS INTENDED. FAILURE TO DO SO MAY CAUSE DAMAGE AND/OR PERSONAL INJURY AND WILL INVALIDATE THE WARRANTY.



Refer to instruction manual



Wear eye protection



Wear protective gloves



Wear eye protection

1. SAFETY

- WARNING!** Remove the pump from the drill before servicing or performing any maintenance.
- ✓ Maintain pump in good condition (use authorised service agent). Replace/repair damaged parts. Use recommended parts, alternative parts may be dangerous and will invalidate the warranty.
- ✓ Keep pump clean for best and safest performance and regularly check moving parts.
- ✓ Risk Assess use of pump near to water etc. before connecting to mains supply.
- ✓ Remove chuck key from the drill before operating the pump.
- ✓ Ensure there are no flammable or combustible materials near the work area.
- ✓ Wear approved safety eye protection (standard spectacles are not adequate).
- ✓ Remove ill fitting clothes, ties, watches, rings and other loose jewellery, and contain long hair.
- ✓ Maintain correct balance and footing. Ensure the floor is not slippery and wear non slip shoes.
- ✓ Keep children and unauthorised persons away from the working area.
- ✓ Keep drill on until desired task is complete.
- ✓ Avoid unintentional starting.
- ✗ **DO NOT** hold the pump by hand.
- ✓ Secure using bolt holes provided.
- ✗ **DO NOT** use the pump for a task it is not designed to perform.
- ✗ **DO NOT** allow untrained persons to operate the pump.
- ✗ **DO NOT** operate the pump if damaged, or there are parts missing.
- ✗ **DO NOT** use pump where there is flammable liquids, solids or gases.
- ✗ **DO NOT** leave the pump operating whilst unattended.
- ✗ **DO NOT** use pump if tired, under influence of alcohol, drugs or intoxicating medication.
- ✓ When not in use switch drill off and remove the pump and store in a safe, dry, child proof area.

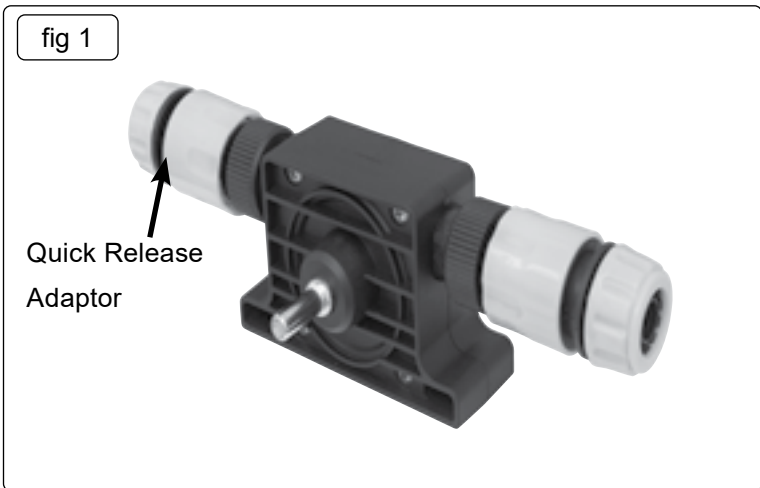
2. INTRODUCTION

Suitable for use with electric drill with output of 350W or more. Composite housing supplied with two 1/2" quick release couplings. Delivers up to 1200L/hr of fluid at 3000rpm. Suitable for water, organic solvents, motor oil, heating oil, insecticides, pesticides, liquid fertilizers and other non-aggressive liquids.

3. SPECIFICATION

Model No.: TP51.V2

Suction Head: 3m



4. OPERATION

NOTE: Before using the pump ensure you have read and understood the Safety Instructions listed in section 1.

4.1. ASSEMBLY

- 4.1.1. Minimal assembly is required for the drill powered water pump. Simply remove the components from the packaging.
- 4.1.2. Fit hoses to the adaptors by unscrewing the collar of the “quick release” adaptors, then insert the length of hose all the way into each adaptor and re-tighten the collar (fig 1).
- 4.1.3. Attach both adaptors to the pump, bearing in mind the direction of flow through the pump, by screwing the spouts onto the unit, then pulling back the sleeve of the adaptor and inserting onto the unit and releasing the collar. To remove the adaptors, pull back the sleeve and remove the adaptor.
- 4.1.4. The pump is supplied with mounting bolt holes, these can be used to add sturdiness to the pump by mounting it to a surface.

NOTE: To determine the direction of flow refer to the arrows located on the unit body each side of the driveshaft.

4.2. USING THE WATER PUMP

- 4.2.1. Once you have prepared the pump and connected the adaptors attach the drill.
- 4.2.2. Open the chuck to suitably fit the shaft of the pump and secure tightly.
- 4.2.3. Begin to drive the pump with the drill, ensuring the drill is operating in a counter-clockwise direction at a minimum output of 350Watt.
- 4.2.4. After use, remove the adaptors, completely drain the unit and store.

Parts support is available for this product. Please email sales@sealey.co.uk or telephone 01284 757500



ENVIRONMENT PROTECTION

Recycle unwanted materials instead of disposing of them as waste. All tools, accessories and packaging should be sorted, taken to a recycling centre and disposed of in a manner which is compatible with the environment. When the product becomes completely unserviceable and requires disposal, drain any fluids (if applicable) into approved containers and dispose of the product and fluids according to local regulations.



REGISTER YOUR PURCHASE HERE

Note: It is our policy to continually improve products and as such we reserve the right to alter data, specifications and component parts without prior notice. Please note that other versions of this product are available. If you require documentation for alternative versions, please email or call our technical team on technical@sealey.co.uk or 01284 757505.

Important: No Liability is accepted for incorrect use of this product.

Warranty: Guarantee is 12 months from purchase date, proof of which is required for any claim.

Sealey Group, Kempson Way, Suffolk Business Park, Bury St Edmunds, Suffolk. IP32 7AR



01284 757500



01284 703534



sales@sealey.co.uk



www.sealey.co.uk